



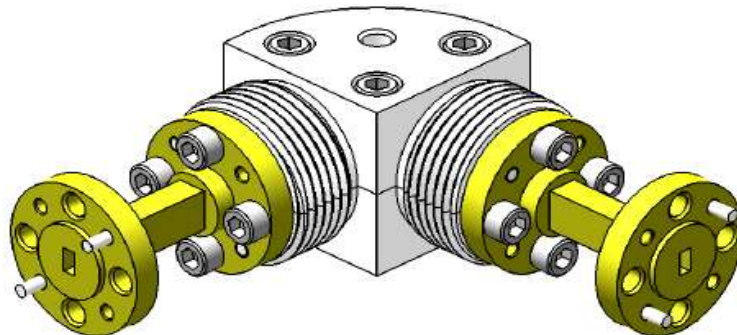
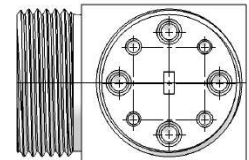
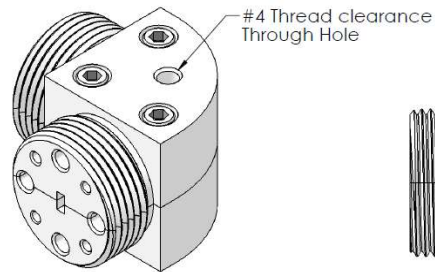
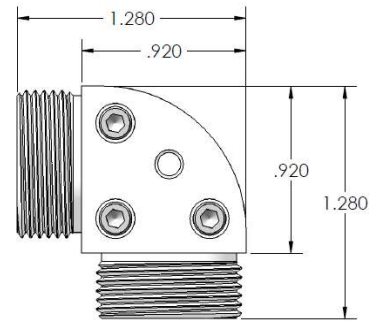
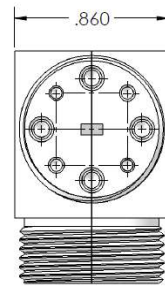
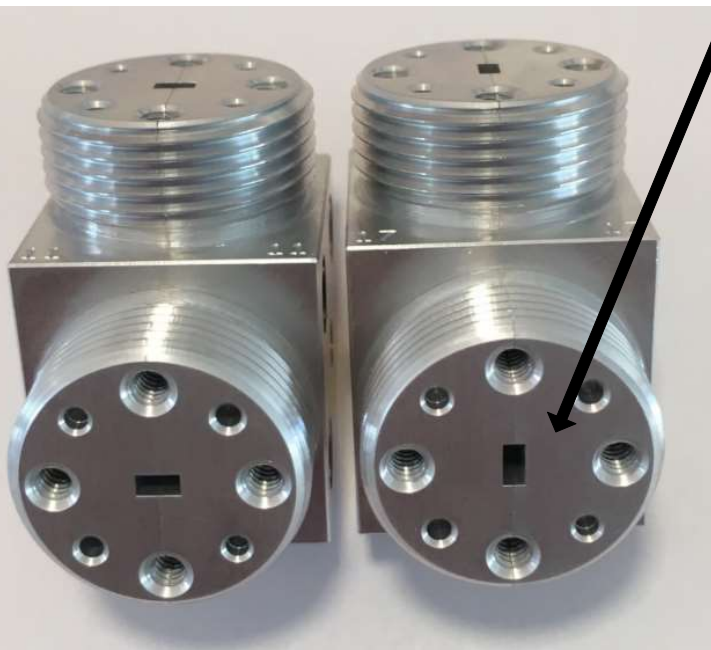
www.QuantumMicrowave.com

QMC-WGB15-H90-STD GuideLock Waveguide Bend Patent Pending

This version is without the mating female GuideLock Adapter-Lower cost

**V-Band Quick Connect H-Plane Waveguide Bends
With both 4 waveguide screw flange connections
And New Patented GuideLock Quick Connects
Frequency: 50 to 75 GHz, Insertion: 0.2 dB typical
Waveguide Flange: UG-385/U**

H-Plane



Phone: 857-499-0071, Fax: 888-893-7188